

Hose box for tile rim fitting
SB FR 395-100

The hose box is combinable with all bathtub rim and concealed fittings

- accessible and maintainable at all times
- intrinsically protected against backflow (according to DIN EN 1717)
- mixed water connection 1/2"

The shower hose is not constantly under tension, but automatically slides back into the hose box

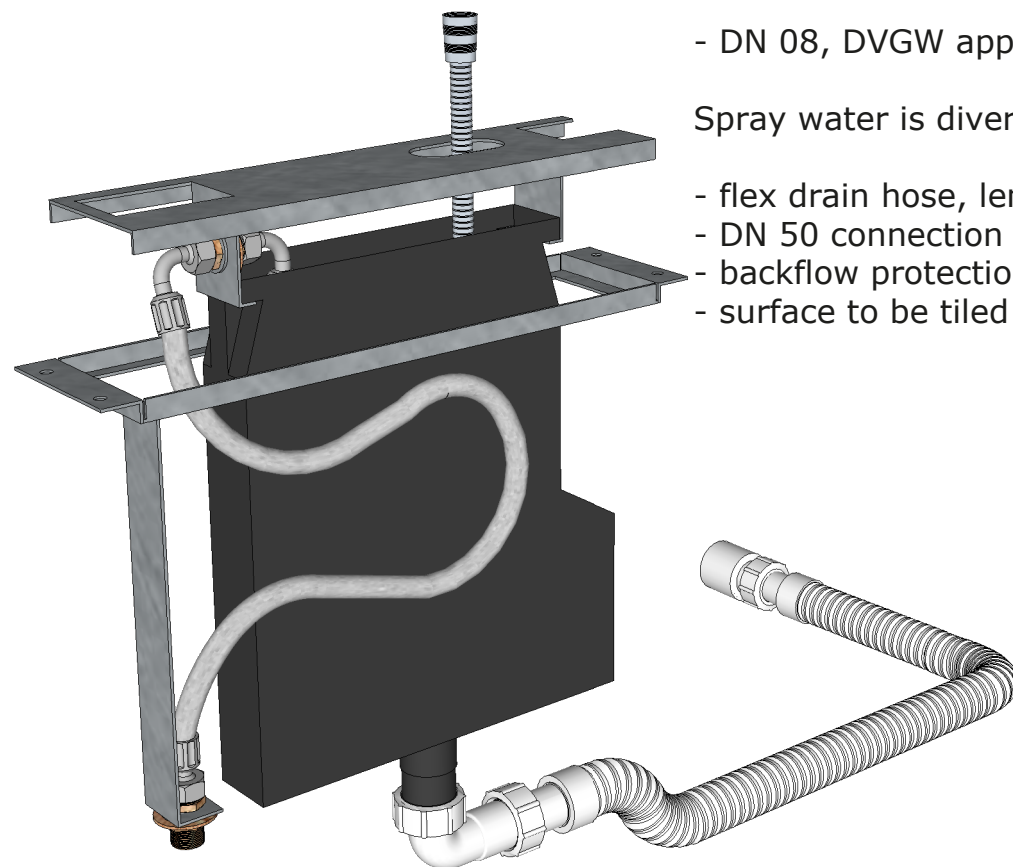
- high quality metal safety shower hose
- silicone inner tube (W270, KTW-A)
- smooth and easy to handle
- shower hose length 150 cm
- interchangeable above bath

Pressure hose to connect the shower hose

- DN 08, DVGW approved W 543, W 270, KTW A

Spray water is diverted directly into the drain

- flex drain hose, length 200 cm
- DN 50 connection
- backflow protection / odour trap
- surface to be tiled 395 x 100 mm



Hose box for tile rim fitting

SB FR 395-100

